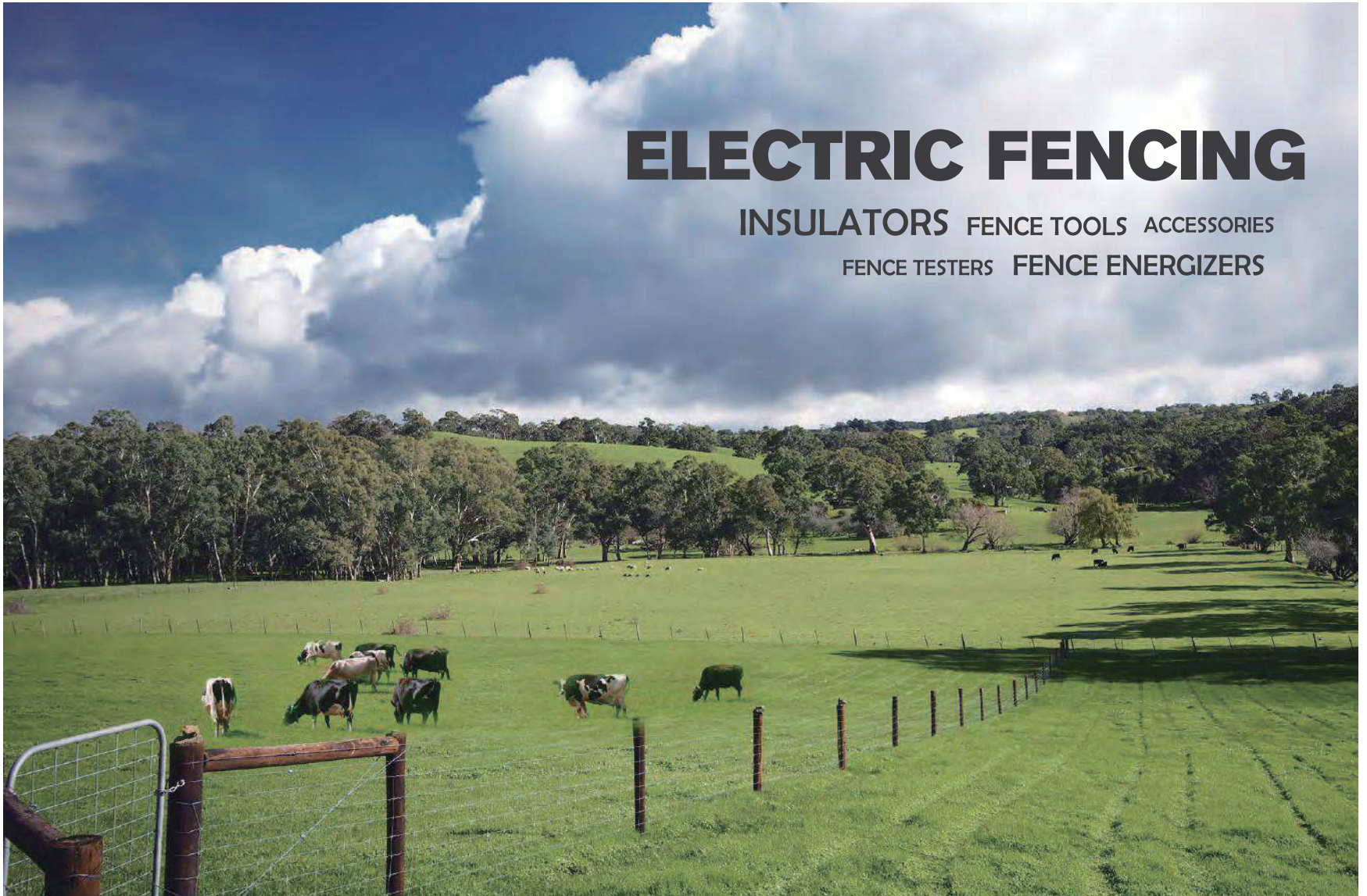


# ELECTRIC FENCING

INSULATORS FENCE TOOLS ACCESSORIES

FENCE TESTERS FENCE ENERGIZERS



As a leading Chinese manufacturer of electric fences, H.P.S. Exports its products around the world.  
Our goal is to achieve a “one-stop” service for farmers.



# COMPANY PROFILE

---

## WELCOME TO HANGZHOU OPUS FENCE SUPPLIES CO.,LTD

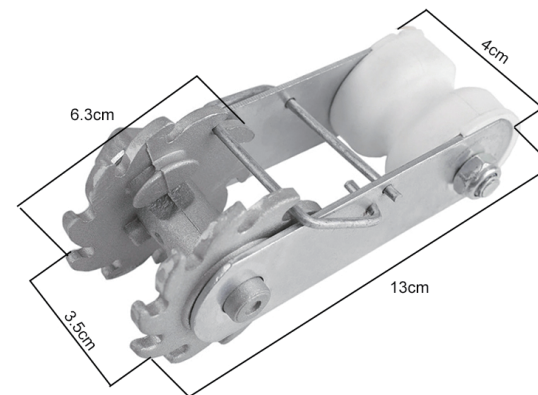
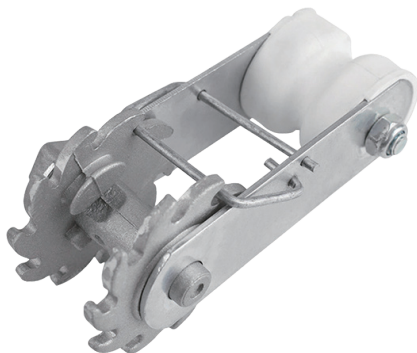
H.P.S. was created in 2013 with the aim of our main products being farm tools. Since then we have gradually moved into the plastics and electronics industries by constantly developing electric fencing products. As a leading Chinese manufacturer of electric fences,H.P.S. Exports its products around the world.

Through technological innovation and product optimization, we continue to improve our products. We offer a wide range which include insulators, fence tools, fence testers, fence energizers, and accessories.We export our technology worldwide.

We are not only sales exporters,but are the manufacturer of the majority products we sell. We have our own factory set up with the purpose manufacturer only for H.P.S.. We have worked in cooperation with our customers to meet their needs which have also witnessed our growth. We treat every customer' s enquiry with honesty and integrity to allow us to answer each customer' s question with the best solution at the most competitive and reliable price, and to the most attentive service to meet customers' requirements. Our goal is to achieve a "one-stop" service for farmers.

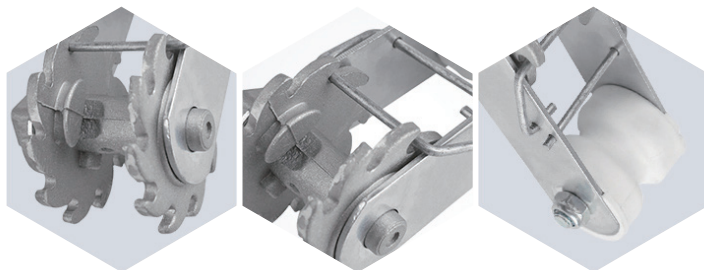
# RATCHET STRAINER

## LJQ001



### Features

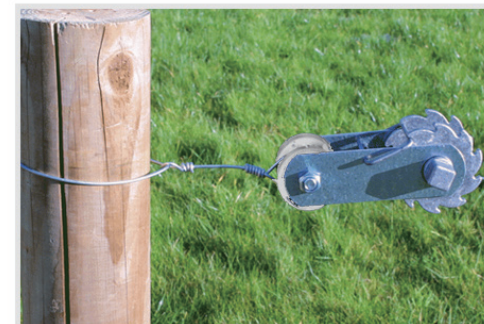
- ✓ Aluminium casted tooth wheel
- ✓ Galvanised steel frame
- ✓ Constructed with teeth spool for control of wire tension
- ✓ Frame with locking notch for improved strainer integrity
- ✓ 2 plane ramp for guidance of wire onto spool
- ✓ Easy to set up and long lasting



### Product Parameter

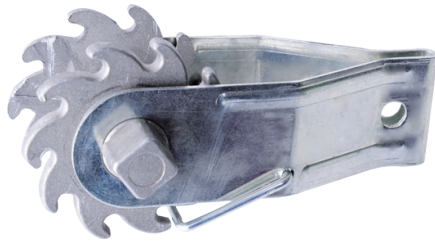
Item Name	Ratchet strainer
Item No	LJQ001
Wheel Material	Aluminum
Frame Material	Galvanised steel
Packing	50pcs/ctn

### Use Flow



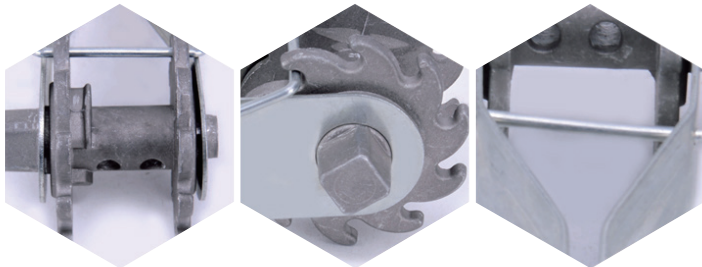
# RATCHET STRAINER

## LJQ003

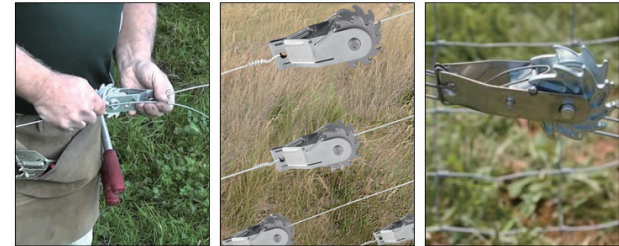


### Product Parameter

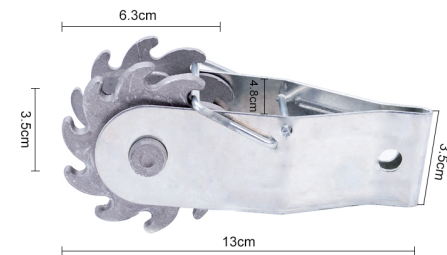
Products name	Wire strainer
Item No.	LJQ003
Material	Aluminum
Treatment	Galvanized
Unit weight	158g
Wheel size	Dia 60mm
Frame	1.5mm thickness
Packing	50pcs/ctn
Packing size	27*24*31cm
MOQ	1000pcs



### Use Flow



LJQ003 · Ratchet strainer



### Features

It is the best way for your fence.

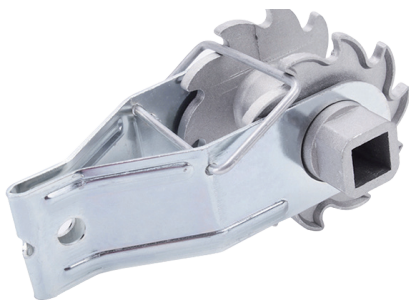
It is easy for installing and remove but safety and efficient. So, it will reduce your costs and help your work much easy.

It applies high-tensile compression on high-tensile fence line. Can be adjusted using a standard wrench. Under compression, it automatically feeds into cog reel. Galvanized to deter rust. Install strainer every 2,000 to 2,500 feet and should be located in the middle of long runs of wire or between two corner posts. Strainers will need to be placed more often when there are corners, bends, dips or rises in the fence.



# RATCHET STRAINER

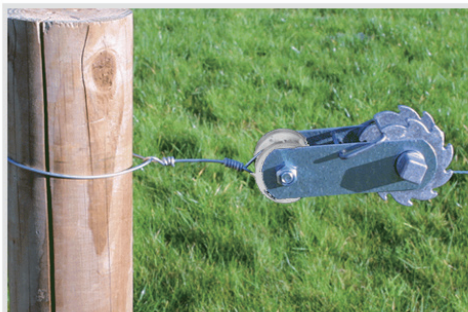
## LJQ005



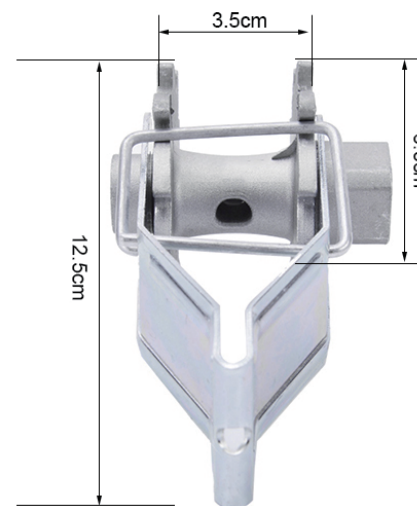
### Features

- ✓ Aluminium casted smooth Ratchet
- ✓ Galvanized steel ribbed frame
- ✓ The stainless spring clip and galvanized frame hold the cog in place, which make it very safety
- ✓ High tension available, fit for the different wire fence.

### Use Flow



### Product Parameter



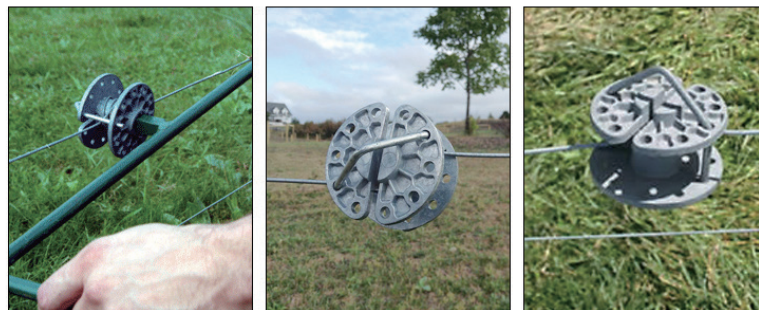
Item Name	Ratchet strainer
Item No	LJQ005
Material	Aluminum
Treatment	Galvanized
Unit weight	172g
Wheel size	Dia 60mm
Frame	1.5mm thickness
Packing	50pcs/ctn
Packing size	27*24*31cm
MOQ	1000pcs

# DAISY STRAINER

## LJQ007

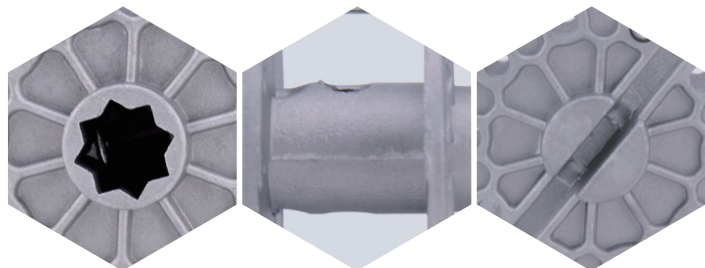
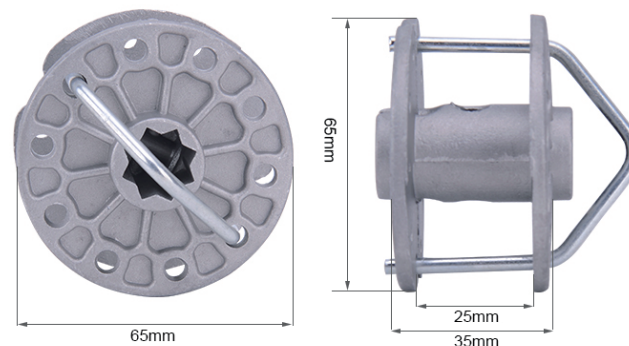


### Use Flow



### Product Parameter

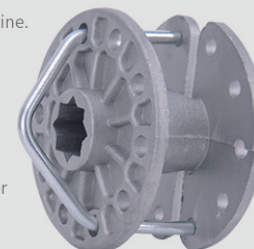
Name	Electric fence in line strainer
Item	LJQ007
Wheel material	Aluminium casted
Frame material	Steel
Wheel DIA	60MM
Wheel height	Wheel height
Clip pia	4MM
Unit weight	95g
Packing size	Packing size
MOQ	50pcs



### Features

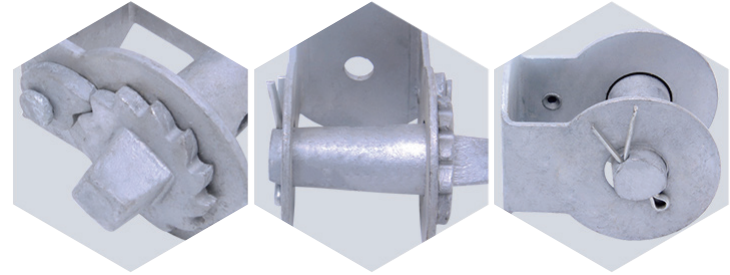
The wheel daisy wire strainer removes slack in the fence line.

This daisy wheel strainer can increase the tension on the fence wire to about 250 lbs. It is to be used with strainer handle (WD-FT010). This daisy wheel strainer can be used with all wire including high tensile. It's easy to install after fence is up.



# RATCHET STRAINER

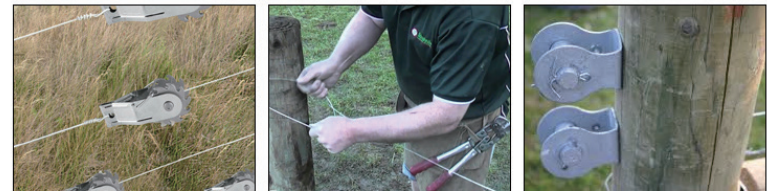
## LJQ010



### Product Parameter

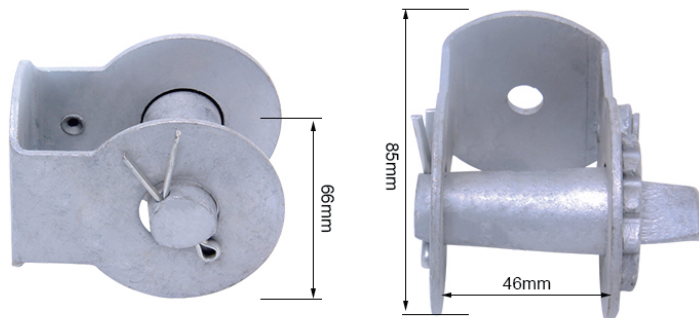
Name	Ratchet strainer
Item	LJQ010
Wheel material	Aluminium casted
Frame material	Steel
Wheel DIA	66MM
Unit weight	55g
MOQ	60pcs

### Use Flow



### Features

- ✓ Long life galvanized steel frame.
- ✓ Increased spool hub thickness provides extra strength.
- ✓ UP to 60mm wire is usable.
- ✓ 12 tooth spool for adjusting.





**HANGZHOU OPUS FENCE SUPPLIES CO.,LTD**

Tel: 86-571-89774060

Fax: 86-571-89774057

Email: [hps01@hpsunionpower.com](mailto:hps01@hpsunionpower.com)

Add: D406, No.11, Xiyuan 8th Road, West Lake Science&  
Technology Park Hangzhou, China, 310030

[www.hpsfence.com](http://www.hpsfence.com)

<http://hpsfence.en.alibaba.com>